

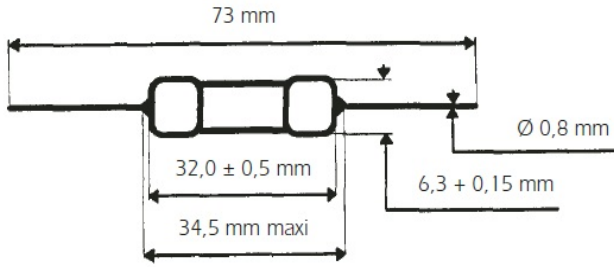
Miniature Fuses

Axial leads 6x32
FA "AL" Very Fast Acting
250V from 0.1 to 6.3A



Complying with UL recognized E76491

Dimensions



Installation instructions

Soldering heat resistance : according IEC 68-2-20/260°C for 10 seconds

Materials: body: Ceramic tube

Materials: contact: Tin-plated copper

Product weight: 2.5g max.

Packaging: In tape per 1500 pieces

Size	Catalog Number	Reference Number	Rated Voltage (V)	Nominal Current (A)	Breaking capacity @ Nominal current (A)	Pre-arcing I ² t @ Rated voltage (A ² s)	Clearing I ² t @ Rated Voltage (A ² s)	Max. voltage drop (V)
6x32	MI6FAP25V0.1	M208138	250	0.1	Cos $\mu \geq 0.2^*$	0.00057	0.0011	2.75
6x32	MI6FAP25V0.125	N208139	250	0.125	Cos $\mu \geq 0.2^*$	0.00077	0.0015	2.6
6x32	MI6FAP25V0.16	P208140	250	0.16	Cos $\mu \geq 0.2^*$	0.002	0.004	2
6x32	MI6FAP25V0.2	Q208141	250	0.2	Cos $\mu \geq 0.2^*$	0.0046	0.009	1.7
6x32	MI6FAP25V0.25	R208142	250	0.25	Cos $\mu \geq 0.2^*$	0.009	0.018	1.55
6x32	MI6FAP25V0.315	S208143	250	0.315	Cos $\mu \geq 0.2^*$	0.016	0.032	1.45
6x32	MI6FAP25V0.4	T208144	250	0.4	Cos $\mu \geq 0.2^*$	0.03	0.06	1.4
6x32	MI6FAP25V0.5	V208145	250	0.5	Cos $\mu \geq 0.2^*$	0.05	0.1	1.4
6x32	MI6FAP25V0.63	W208146	250	0.63	Cos $\mu \geq 0.2^*$	0.12	0.24	1.15
6x32	MI6FAP25V0.8	X208147	250	0.8	Cos $\mu \geq 0.2^*$	0.25	0.5	1
6x32	MI6FAP25V1	Y208148	250	1	Cos $\mu \geq 0.2^*$	0.11	0.2	0.71
6x32	MI6FAP25V1.25	Z208149	250	1.25	Cos $\mu \geq 0.2^*$	0.26	0.5	0.55
6x32	MI6FAP25V1.6	C208152	250	1.6	Cos $\mu \geq 0.2^*$	0.39	0.7	0.65
6x32	MI6FAP25V2	D208153	250	2	Cos $\mu \geq 0.2^*$	0.81	1.4	0.55
6x32	MI6FAP25V2.5	E208154	250	2.5	Cos $\mu \geq 0.2^*$	1.44	2.5	0.52
6x32	MI6FAP25V3.15	F208155	250	3.15	Cos $\mu \geq 0.2^*$	2.46	4.3	0.53
6x32	MI6FAP25V4	G208156	250	4	Cos $\mu \geq 0.2^*$	4.6	8	0.48
6x32	MI6FAP25V5	H208157	250	5	Cos $\mu \geq 0.2^*$	11	20	0.37
6x32	MI6FAP25V6.3	Z208034	250	6.3	Cos $\mu \geq 0.2^*$	23	40	0.31

*200kA Cos $\mu \geq 0.2$



Shah & Shah Enterprise

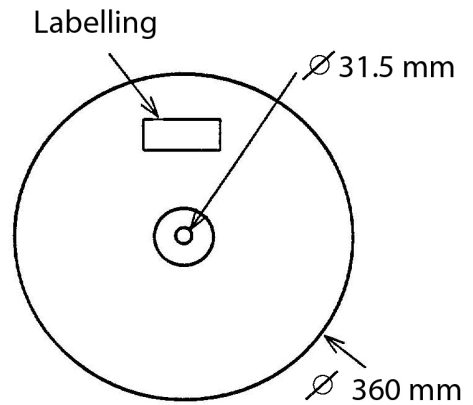
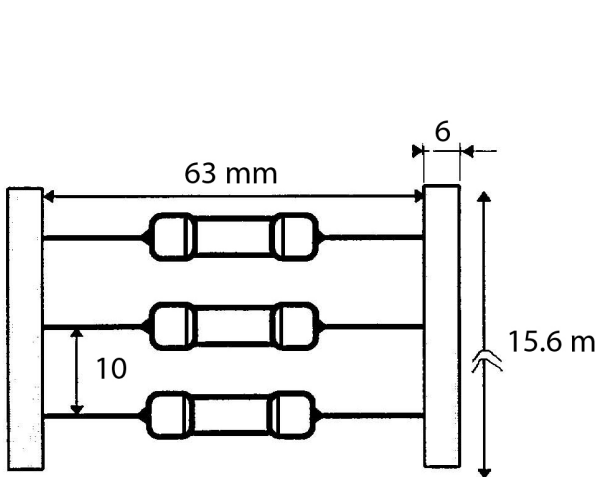
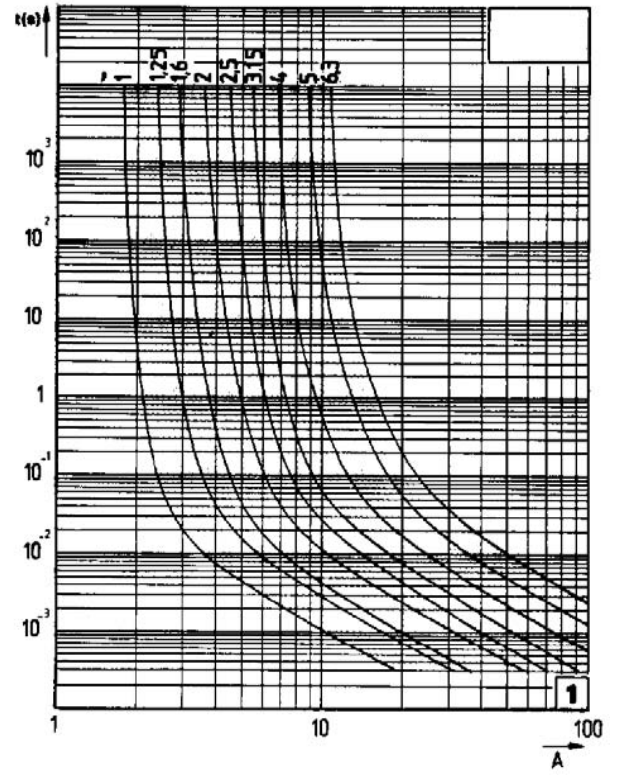
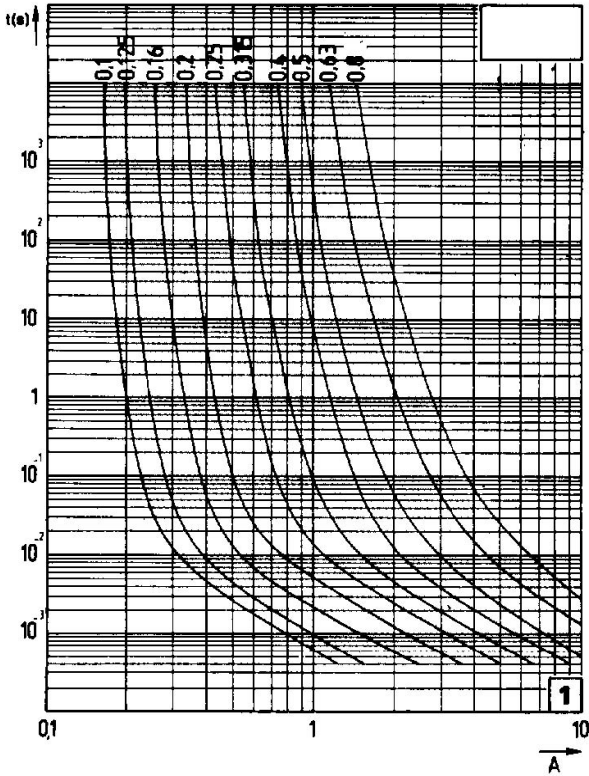
www.shahent.co.in

Miniature Fuses

Axial leads 6x32
FA "AL" Very Fast Acting
250V from 0.1 to 6.3A



Time Current Curves



Shah & Shah Enterprise

www.shahent.co.in